

DS-2DT6223-AELY 2.0 MP Anti-Corrosion Network PTZ Camera



smart PTZ

Hikvision DS-2DT6223-AELY Anti-Corrosion PTZ Camera avoids acidic and neutral salt fog corrosion. DS-2DT6223-AELY captures high quality colored images in dim light environment with its low illumination, down to 0.002 Lux (color). The embedded 1/1.8" progressive scan CMOS chip makes true WDR (120 dB), and 2.0 MP real-time resolution possible. With the 23 × optical zoom, and Day/Night IR cut filter, the camera offers more details over expansive areas.

The Anti-Corrosion PTZ Camera features a wide range of smart functions, including face detection, intrusion detection, line crossing detection, and audio exception, benefitting users with great improvement on security efficiency, more importantly, with key events/objects being recorded for further forensic needs. These features, combined with smart tracking, which enable the camera to detect any progressively moving object, and follow it within the camera's coverage area without fault. Smart defog and EIS (Electronic Image Stabilization) are supported to improve image quality in challenging conditions.

DARKFIGHTER



Key Features

- Anti-corrosion stainless steel, avoids acidic and neutral salt fog corrosion
- 1/1.8" HD CMOS sensor
- 2.0 MP (1920 × 1080) full HD
- 23 × optical zoom
- Ultra-low illumination
- 120 dB true WDR
- 316L stainless steel
- WF2, NEMA 4X anti-corrosion standard
- IP67 standard
- Smart tracking, smart detection, EIS, defog
- Hi-PoE & 24 VAC power supply



DS-2DT6223-AELY

2.0 MP Anti-Corrosion Network PTZ Dome Camera

DARKFIGHTER



Function Description

Basic Function:

- Anti-corrosion stainless steel, avoids acidic and neutral salt fog corrosion
- WF2, NEMA 4X anti-corrosion standard
- IP67 standard
- High performance CMOS, up to 1920 × 1080 resolution
- ±0.1° Preset Accuracy
- ONVIF (Open Network Video Interface Forum), CGI (Common Gateway Interface), PSIA (Physical Security Interoperability Alliance), to ensure greater interoperability between different platforms and compatibility
- 3D positioning
- 3D DNR
- 7 alarm inputs, and 2 alarm outputs
- Scheduled PTZ movement

Smart Function:

- Smart tracking modes: manual/panorama/intrusion trigger/line crossing trigger/region entrance trigger/region exiting trigger
- Smart detection: face detection, intrusion detection, line crossing detection, audio exception detection, region entrance detection, region exiting detection
- Smart recording: edge recording, dual-VCA for smart search in smart NVR
- Smart image processing: defog, HLC, EIS
- Smart code: low bit rate, ROI

Camera Function:

- Auto iris, auto focus, auto white balance, backlight compensation and auto day & night switch
- Min. Illumination: Min. Illumination: 0.002 lux@(F1.5, AGC ON)(Color), 0.0002 lux@(F1.5, AGC ON)(B/W).

- Privacy mask with multiple colors and mosaics on polygonal areas

PTZ Function:

- 360° endless pan range and -10° to 90° tilt range
- 540°/s Pan Preset Speed and, 400°/s Tilt Preset Speed
- 0.1° to 300°/s Manual Pan Speed and 0.1° to 240°/s Manual Tilt Speed
- 300 programmable presets and able to freeze preset image
- 8 patrols, up to 32 presets per patrol
- 4 patterns, with the recording time not less than 10 minutes per pattern
- Proportional zoom function
- Park action: auto call up of PTZ movement, after a defined time of inactivity
- Power-off memory: restore PTZ & Lens status after reboot

Network Function:

- H.264/MJPEG/MPEG4 video compression
- H.264 encoding with Baseline, Main and High profiles
- ROI (Region of Interest) encoding (support 24 areas with adjustable levels)
- Built-in Web server
- Onboard storage, up to 256 GB
- Support up to 8 NAS storage, and edge recording (transmit the videos from SD card to the NAS after network resumed)
- HTTPS encryption and IEEE 802.1X port-based network access control
- Supports three streams
- Multiple network protocols are supported: IPv4/IPv6, HTTP, HTTPS, 802.1X, QoS, FTP, SMTP, UPnP, SNMP, DNS, DDNS, NTP, RTSP, RTP, TCP, UDP, IGMP, ICMP, DHCP, PPPoE
- 1 audio input, and 1 audio output

DS-2DT6223-AELY

2.0 MP Anti-Corrosion Network PTZ Dome Camera



DARKFIGHTER

Model	DS-2DT6223-AELY
Camera Module	
Image Sensor	1/1.8" Progressive Scan CMOS
Min. Illumination	F1.5, AGC On: Color: 0.002 lux, B/W: 0.0002 lux
Max. Image Resolution	1920 × 1080
Focal Length	5.9 to 135.7 mm, 23 ×
Digital Zoom	16 ×
Zoom Speed	Approx. 4.4 s (Optical Wide-Tele)
Field of View	59.8° to 3.0° (Wide-Tele)
Working Distance	10 to 1500 mm (Wide-Tele)
Aperture Range	F1.5 to F3.4
Focus Mode	Auto/Semi-Auto/Manual
WDR	120 dB
Shutter Time	50Hz: 1 to 1/30,000 s; 60Hz: 1 to 1/30,000 s
AGC	Auto/Manual
White Balance	Auto/Manual/ATW/Indoor/Outdoor/Daylight lamp/Sodium lamp
Day & Night	IR Cut Filter
Privacy Mask	24 programmable privacy masks; optional multiple colors and mosaics
Enhancement	3D DNR, EIS, Defog, HLC/BLC, SVC
Pan and Tilt	
Range	Pan: 360° endless; Tilt: -10° to 90° (Auto Flip)
Speed	Pan Manual Speed: 0.1° to 300°/s, Pan Preset Speed: 540°/s Tilt Manual Speed: 0.1° to 240°/s, Tilt Preset Speed: 400°/s
Preset No.	300
Patrol	8 patrols, up to 32 presets per patrol
Pattern	4 patterns, with the recording time not less than 10 minutes per pattern
Park Action	Preset/Patrol/Pattern/Auto scan/Tilt scan/Random scan/Frame scan/Panorama scan
Scheduled Task	Preset/Patrol/Pattern/Auto scan/Tilt scan/Random scan/Frame scan/Panorama scan/Dome reboot/Dome adjust/Aux output
Smart Features	
Smart Tracking	Manual/Panorama/Intrusion trigger/Line crossing trigger/Region entrance trigger/Region exiting trigger; smart tracking when patrol between multiple scenarios
Smart Detection	Face detection, Intrusion detection, Line crossing detection, Audio exception detection, Region entrance detection, Region exiting detection

DS-2DT6223-AELY

2.0 MP Anti-Corrosion Network PTZ Dome Camera



DARKFIGHTER

Alarm	
Alarm I/O	7/2
Alarm Trigger	Face detection, Intrusion detection, Line crossing detection, Region entrance, Region exiting, Audio exception detection, Motion detection, Dynamic analysis, Tampering alarm, Network disconnect, IP address conflict, Storage exception
Alarm Action	Preset, Patrol, Pattern, Micro SD/SDHC card recording, Relay output, Notification on Client
Input/Output	
Monitor Output	1.0 V [p-p]/75 Ω, NTSC (or PAL) composite, BNC
Audio Input	1 Mic in/Line in interface, line input: 2-2.4 V [p-p]; output impedance: 1 KΩ, ±10%
Audio Output	1 Audio output interface, line level, impedance: 600 Ω
Network	
Ethernet	10Base-T/100Base-TX, RJ45 connector
Main Stream	50Hz: 25fps (1920×1080, 1280×960, 1280×720); 60Hz: 30fps(1920×1080, 1280×960, 1280×720)
Sub Stream	50Hz: 25fps (704×576, 352×288, 176×144); 60Hz: 30fps(704×480, 352×240, 176×120)
Third Stream	50Hz: 25fps (1920×1080, 1280×960, 1280×720, 704×576, 352×288, 176×144) 60Hz: 30fps (1920×1080, 1280×960, 1280×720, 704×480, 352×240, 176×120)
Image Compression	H.264/MJPEG/MPEG4, H.264 encoding with Baseline, Main, and High profiles
Audio Compression	G.711ulaw/G.711alaw/G.726/MP2L2/G.722/PCM
Protocols	IPv4/IPv6, HTTP, HTTPS, 802.1X, QoS, FTP, SMTP, UPnP, SNMP, DNS, DDNS, NTP, RTSP, RTP, TCP, UDP, IGMP, ICMP, DHCP, PPPoE
Simultaneous Live View	Up to 20 users
Storage	Up to 256 GB Micro SD/SDHC/SDXC card , and supports edge recording
User/Host Level	Up to 32 users, 3 Levels: Administrator, Operator, and User
Security Measures	User authentication (ID and PW); Host authentication (MAC address); IP address filtering
System Integration	
Application Programming	Open-ended API, support ONVIF, PSIA , CGI and Genetec
Web Browser	IE 7+, Chrome 18 +, Firefox 5.0 +, Safari 5.02 +, support multi-language
RS-485 Protocols	HIKVISION, Pelco-P, Pelco-D, self-adaptive
Power	24 VAC, 3.0 A, 50/60 Hz & Hi-PoE, 42.5 to 57 VDC, 1.41 A. Max.60W
Working Temperature	-40° C to 65° C (-40° F to 149° F)
Humidity	95% or less
Anti-Corrosion Standard	WF2, NEMA 4X
Protection Level	IP67, IK10, TVS 4,000V lightning protection, surge protection and voltage transient protection
Certification	FCC, CE, UL, RoHS, IEC/EN 61000, IEC/EN 55022, IEC/EN 55024, IEC /EN60950-1
Dimensions	Φ262 mm × 330 mm (Φ10.3" × 13.0")
Weight (approx.)	Approx.: 10 kg (22 lb.)

DS-2DT6223-AELY

2.0 MP Anti-Corrosion Network PTZ Dome Camera



DARKFIGHTER

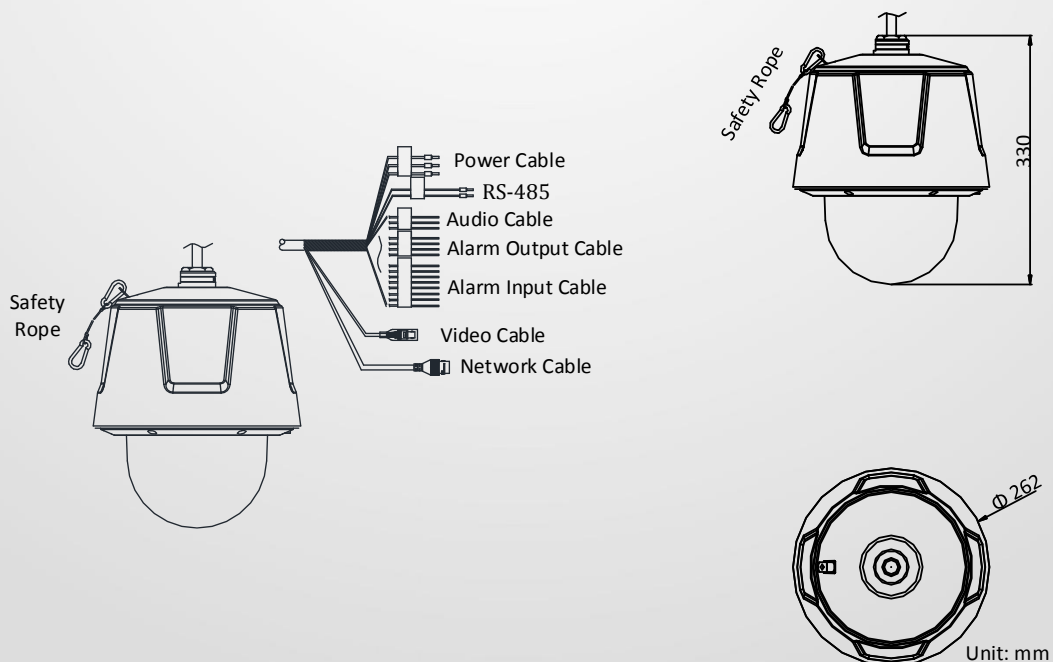
▪ Typical Application

Hikvision products are classified into three levels according to their anti-corrosion performance. Refer to the following description to choose for your using environment.

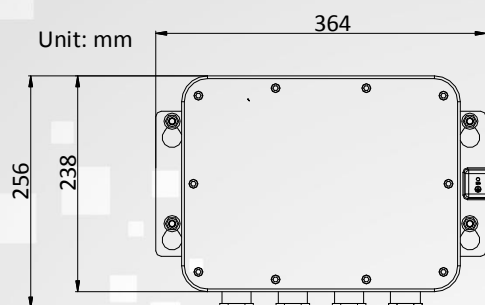
This model has TOP-LEVEL PROTECTION.

Level	Description
Top-level protection	Hikvision products at this level are equipped for use in areas where professional anti-corrosion protection is a must. Typical application scenarios include coastlines, docks, chemical plants, and more.
Moderate protection	Hikvision products at this level are equipped for use in areas with moderate anti-corrosion demands. Typical application scenarios include coastal areas about 2 kilometers (1.24 miles) away from coastlines, as well as areas affected by acid rain.
No specific protection	Hikvision products at this level are equipped for use in areas where no specific anti-corrosion protection is needed.

Dimension



Junction Box (Included)



Application



Bracket Model (Optional)

DS-1697ZJ (wall mount), DS-1696ZJ (pendent mount)